

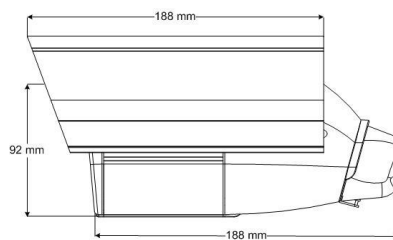
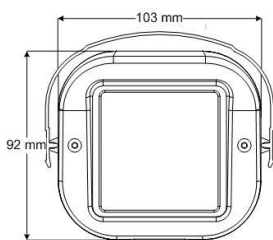
KI-7888

5MP AHD

50M IR Camera



Dimensions (Unit: mm)



Specifications

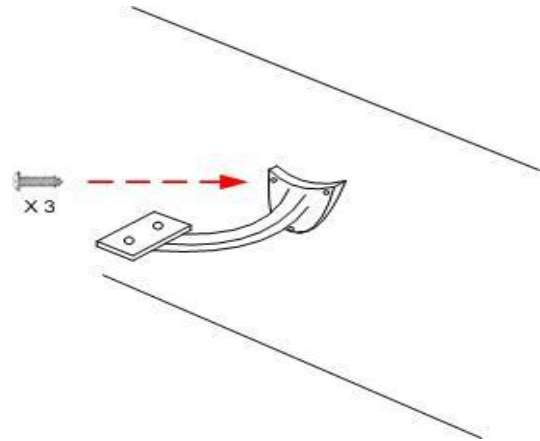
Image Sensor	Image Device	1/2.9" SONY CMOS Sensor
	Scan System	Progressive Scan
	Effective Pixel	2592(H)×1944(V) 5M Pixels
Lens	Mount	Megapixel 6mm board lens(3.6mm option)
Video Output	Output Resolution (AHD)	2592x1944 @20FPS
OSD function	Min. Illumination	0.1 Lux (@50IRE) / 0.01 Lux
	Shutter Speed	AUTO / 1/60(1/50) ~ 1/50,000sec
	S/N Ration	More than 50dB
	AWB	ATW / LOCK / MANUAL
	WDR	Off / D-WDR / BLC / HSBLIC
	True Day & Night	Color / B&W / Auto / Extern
	Camera Setting	COM. / VIDEO OUTPUT MODE / LANGUAGE / FW VER.
	Picture Adjustment	SHARPNESS / COLOR GAIN / SHADING MIRROR / FLIP / DNR / DNR / MOTION
Electricity	Power Consumption	AC 90-264V switching power 755mA(Max)
Mechanical	Dimension	103(W) x 92 (H) x 188(D) mm

	Weight	1210g
Environment	Operation Temperature	-10°C ~ + 50°C

Installation Procedure

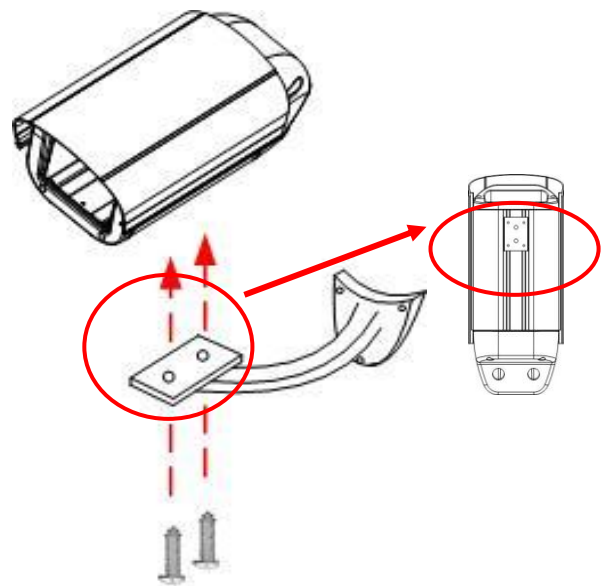
STEP 1:

The IR camera base can install on ceiling, wall ...
Using the screws to mounting the bracket on the right position.



STEP 2:

Find screw mounting base to assemble the camera with the bracket.
Complete installation.



STEP 3: (Important for adaptor base)

Connect the power supply of DC12V / 1A
Stable voltage adaptor.

